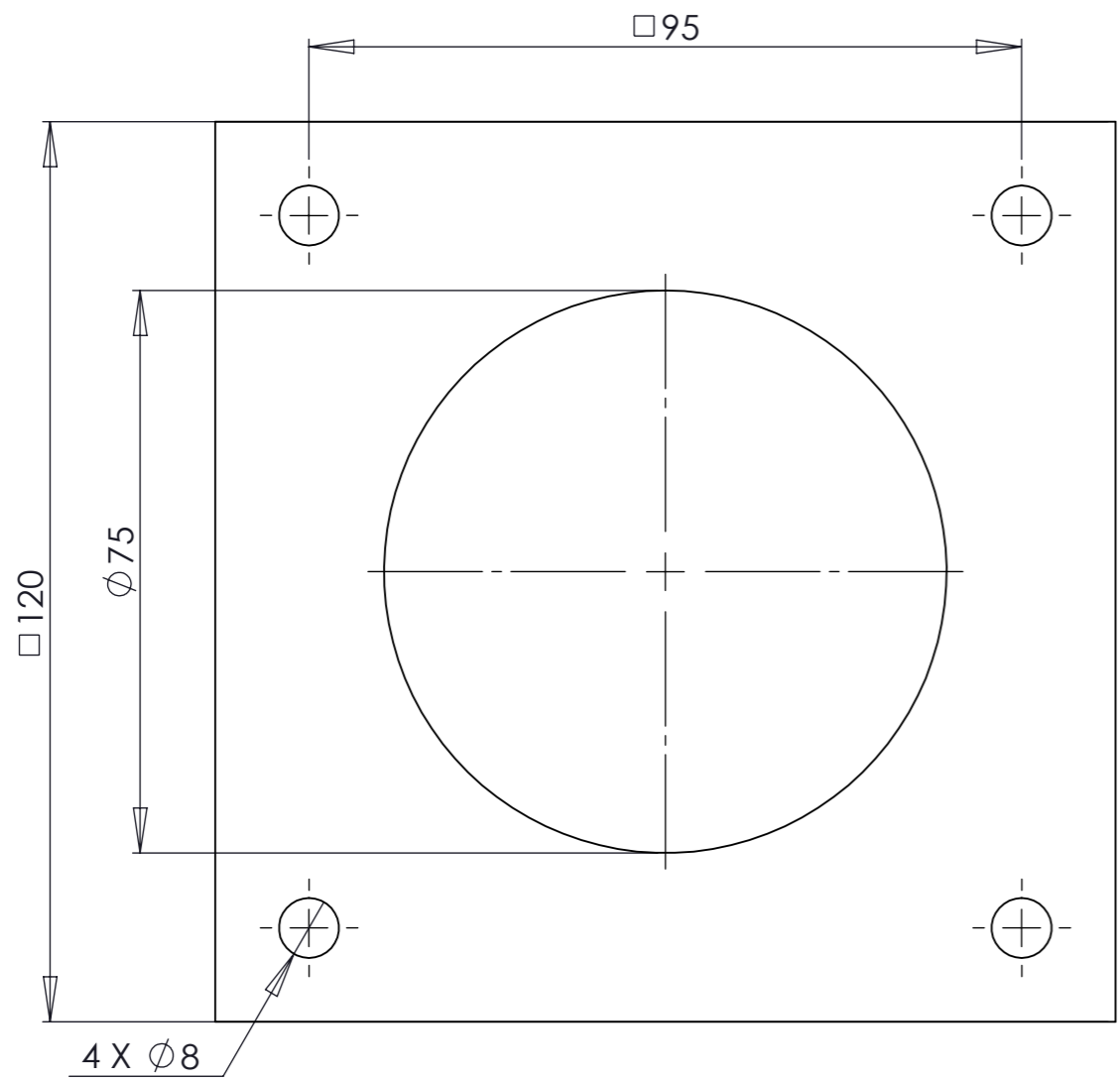


1 2 3 4 6 7

A

A

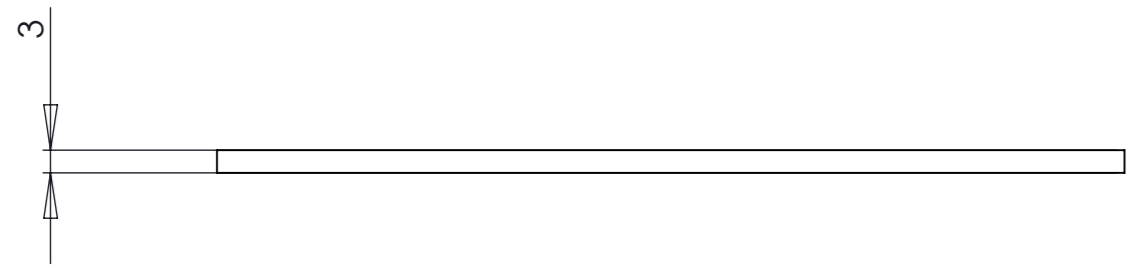


B

B

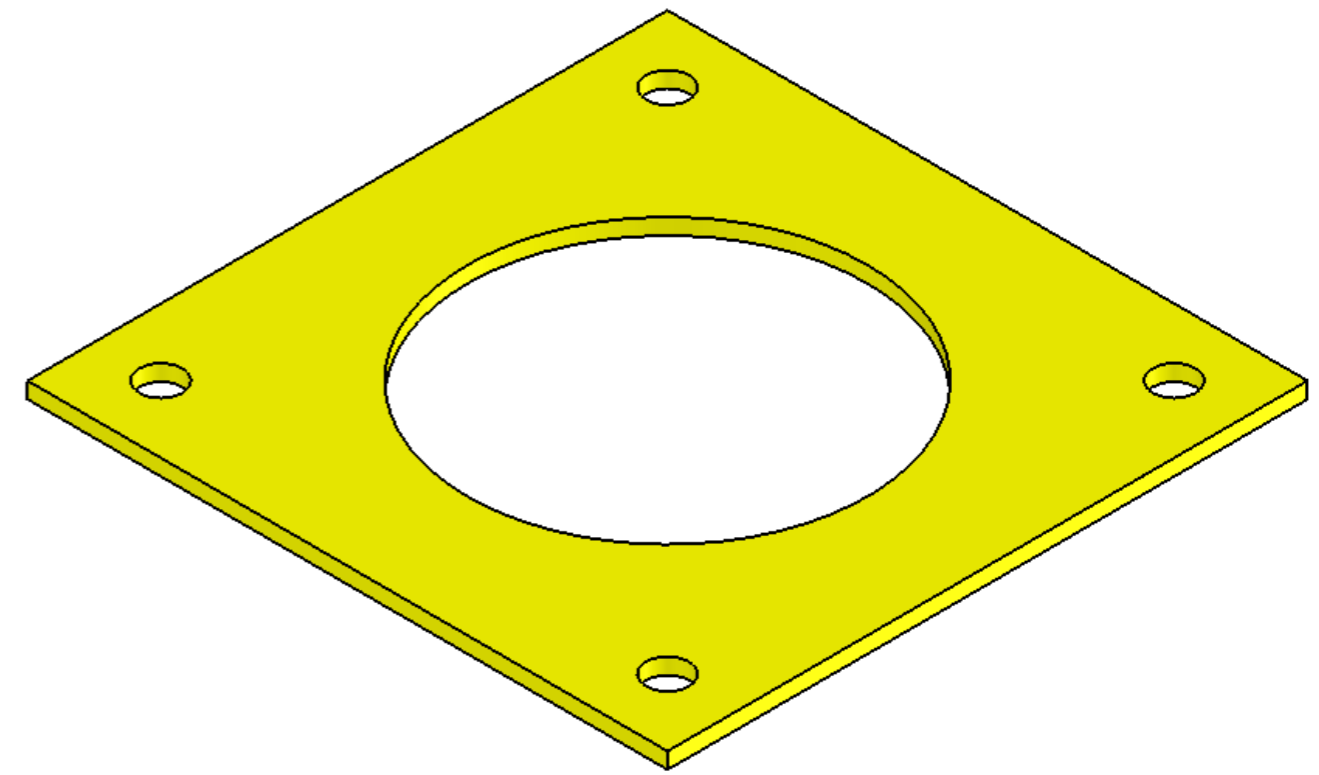
C

C


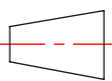
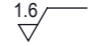


D

D



THIS DRAWING SHOULD BE CONSIDERED WITH THE BOM AND THE 3D FILE (IF SUPPLIED)

MATERIAL: STEEL	UNLESS OTHERWISE SPECIFIED	DATE 13-MAR-2009	EMMA'S FITNESS	
	DIMENSIONS ARE IN MILLIMETERS		REVISION 1	TITLE: TOP PLATE
FINISH: NATURAL	TOLERANCES	 		DRAWING NUMBER: P-005
	DECIMALS: X.X ± 0.20 X.XX ± 0.10		DO NOT SCALE THIS DRAWING	
	FRACTIONS ± 1/32			
	ANGULAR: ± 0°30'			
	FINISH: 1.6 			

1 2 3 4 6 7