

1 2 3 4 6 7

A

B

C

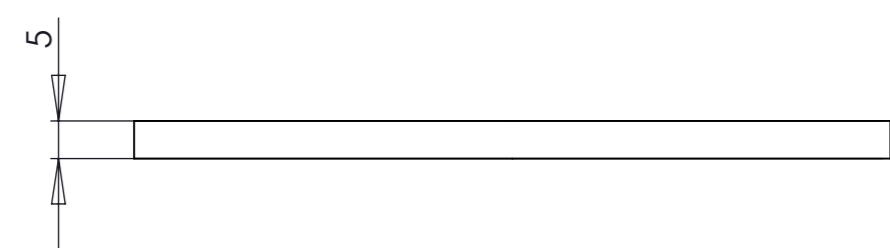
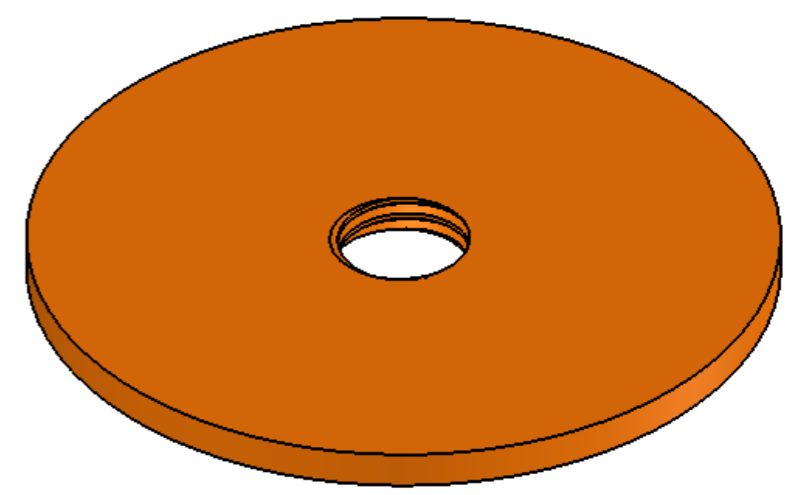
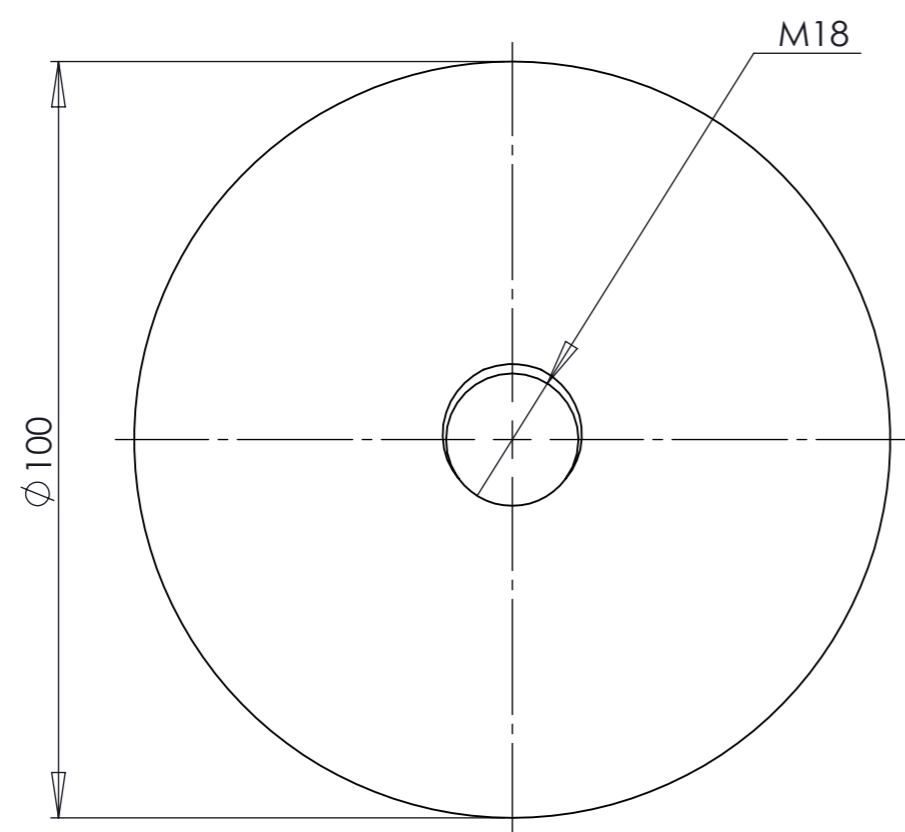
D

A

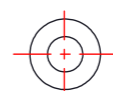
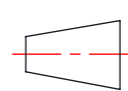
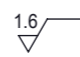
B

C

D



THIS DRAWING SHOULD BE CONSIDERED WITH THE BOM AND THE 3D FILE (IF SUPPLIED)

MATERIAL: STEEL	UNLESS OTHERWISE SPECIFIED	DATE 13-MAR-2009	EMMA'S FITNESS	
	DIMENSIONS ARE IN MILLIMETERS		REVISION 1	TITLE: PLATE BOTTOM
FINISH: POLISHED	TOLERANCES	 		DRAWING NUMBER: P-006
	DECIMALS: X.X ± 0.20 X.XX ± 0.10 FRACTIONS ± 1/32 ANGULAR: ± 0°30' FINISH: 1.6 		DO NOT SCALE THIS DRAWING	

1 2 3 4 6 7