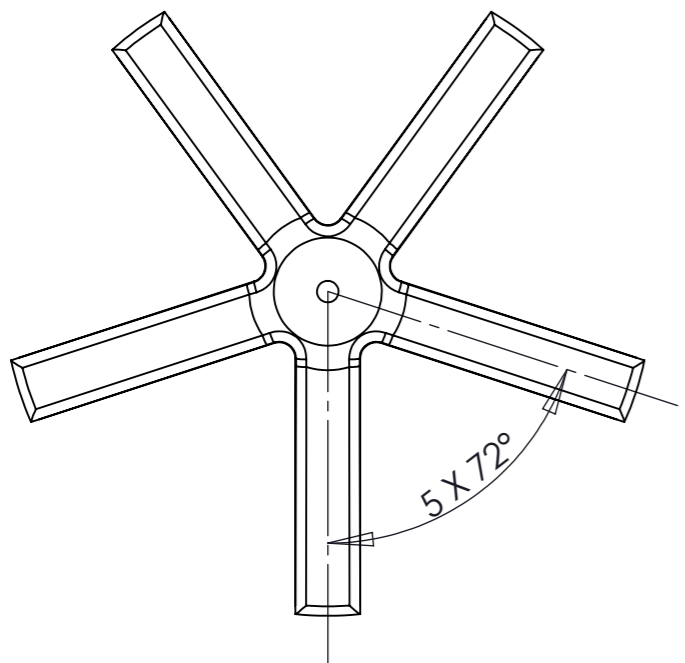


1 2 3 4 6 7

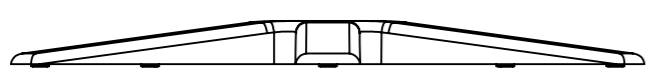
A

A



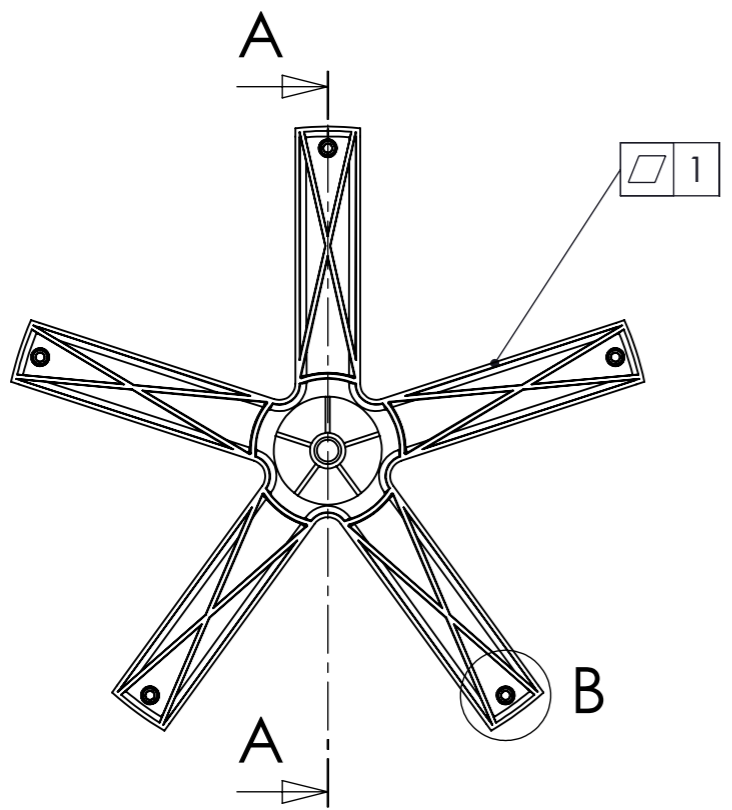
B

B



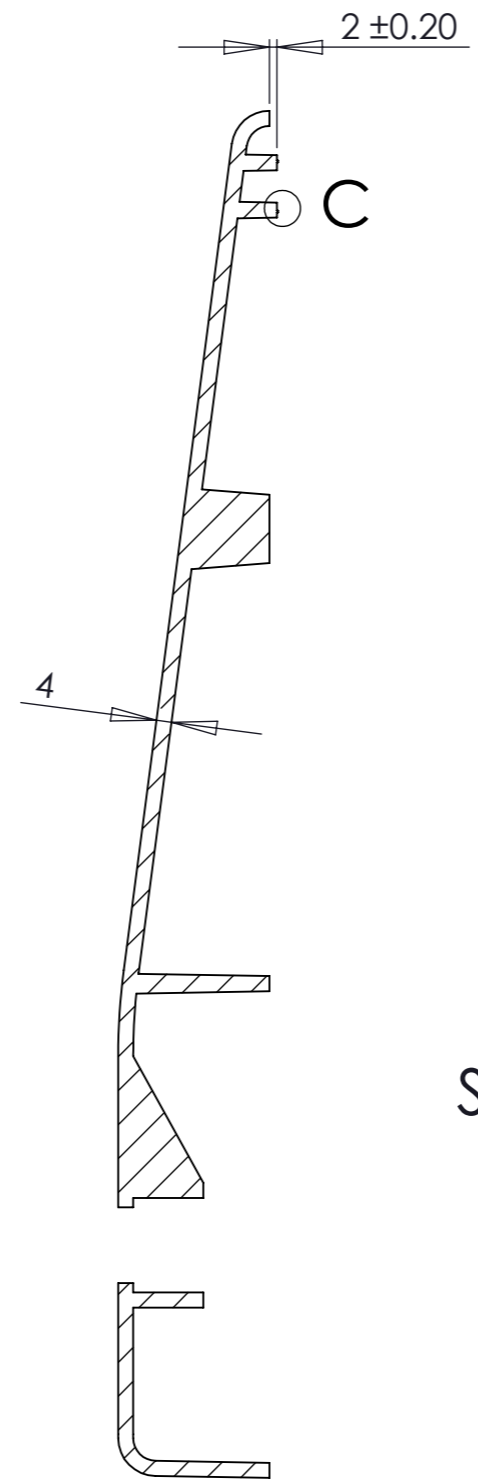
C

C

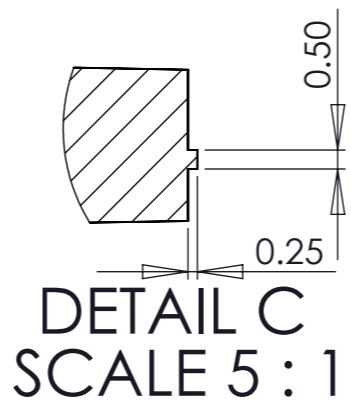


D

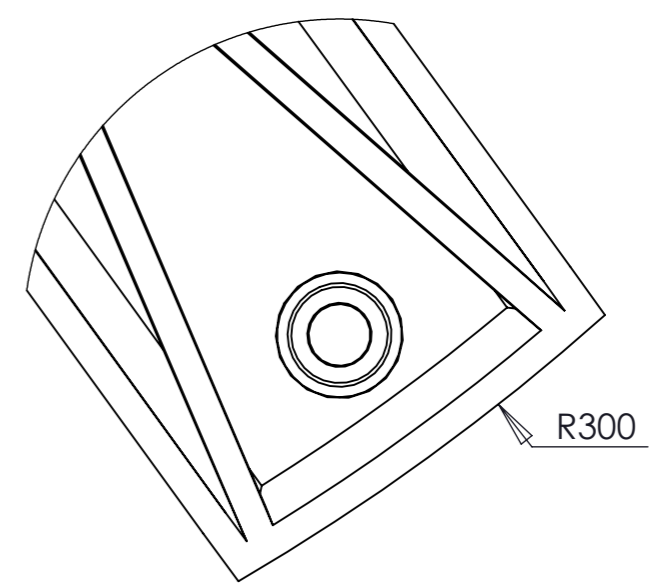
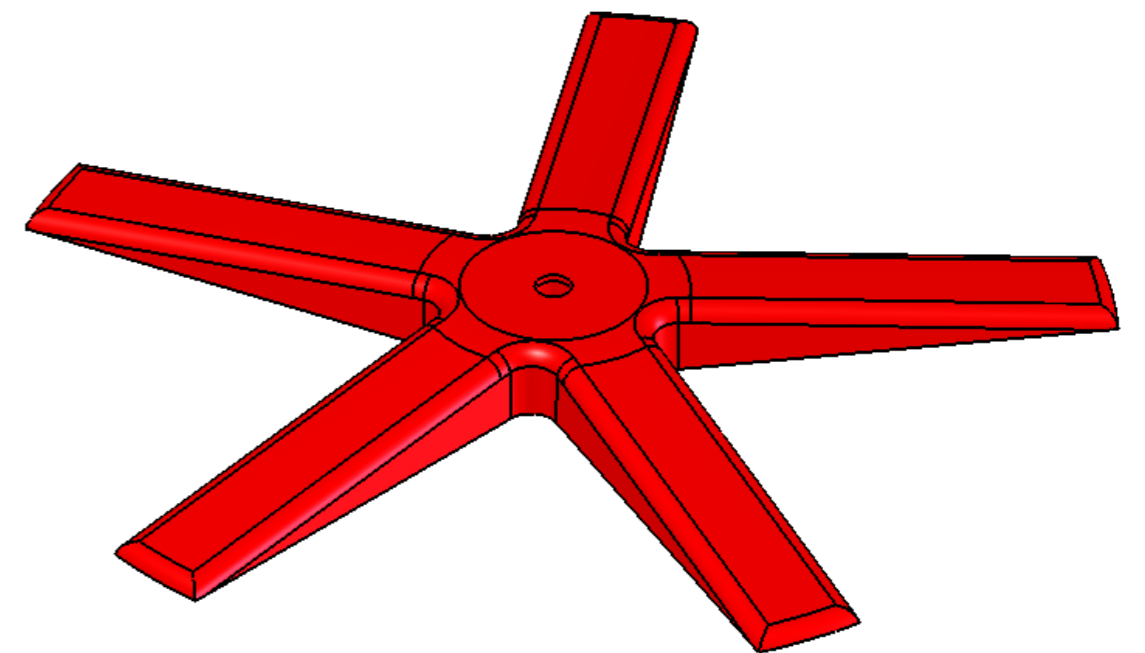
D



SECTION A-A
SCALE 1 : 2


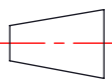


DETAIL C
SCALE 5 : 1



DETAIL B
SCALE 1 : 1

THIS DRAWING SHOULD BE CONSIDERED WITH THE BOM AND THE 3D FILE (IF SUPPLIED)

MATERIAL: PE	UNLESS OTHERWISE SPECIFIED	DATE 13-MAR-2009	EMMA'S FITNESS	
	DIMENSIONS ARE IN MILLIMETERS		REVISION 1	TITLE: BASE
FINISH: NATURAL	TOLERANCES	 		DRAWING NUMBER: P-007
	DECIMALS: X.X ± 0.20 X.XX ± 0.10		DO NOT SCALE THIS DRAWING	

1 2 3 4 6 7