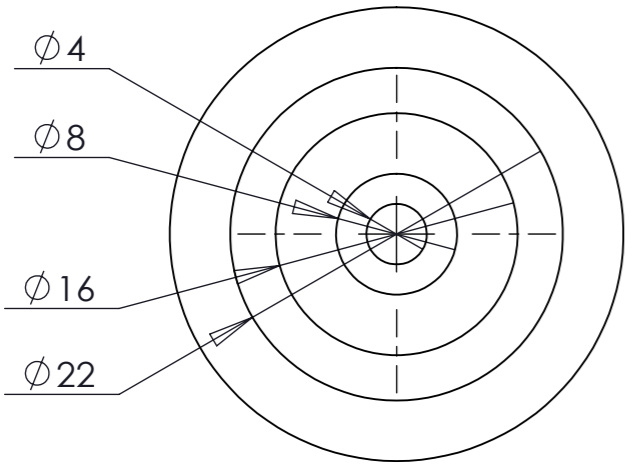


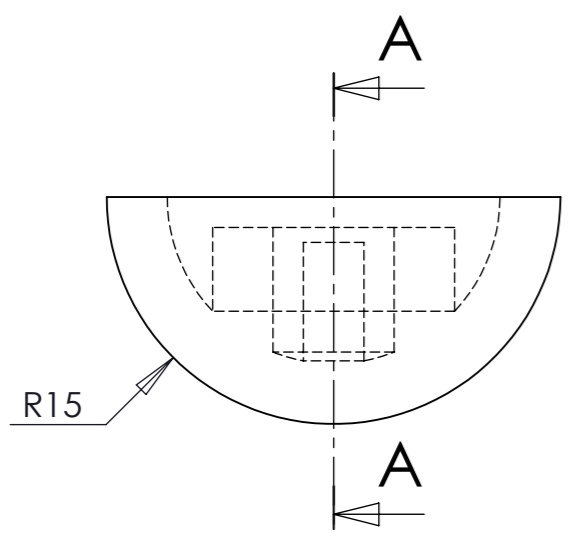
1 2 3 4 6 7

A

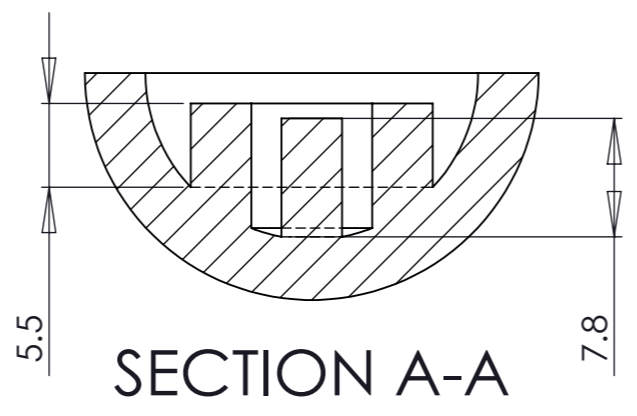


A

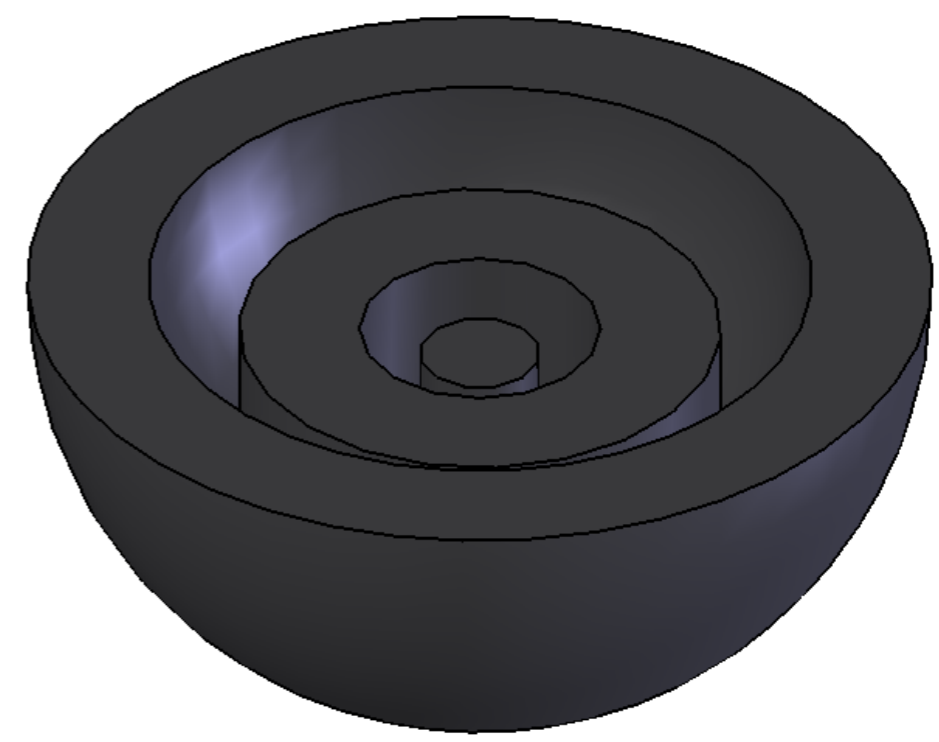
B



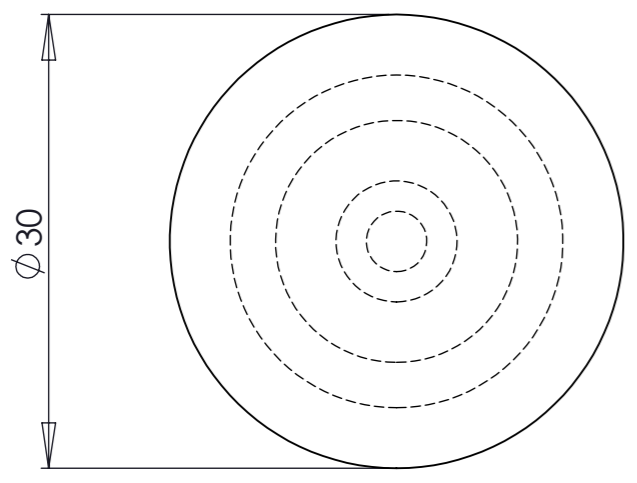
B



SECTION A-A



C



C

D

THIS DRAWING SHOULD BE CONSIDERED WITH THE BOM AND THE 3D FILE (IF SUPPLIED)

| | | | | | |
|---------------------------|-------------------------------|---------------------------|---------------------------------|-----------------------|--|
| MATERIAL: PE | UNLESS OTHERWISE SPECIFIED | DATE 13-MAR-2009 | EMMA'S FITNESS | | |
| | DIMENSIONS ARE IN MILLIMETERS | | | | |
| FINISH: NATURAL | TOLERANCES | | REVISION 1 | TITLE: FOOT | |
| | DECIMALS: | X.X ± 0.20 X.XX ± 0.10 | | | |
| | FRACTIONS | ± 1/32 | | | |
| | ANGULAR: | ± 0°30' | DRAWING NUMBER: P-008 | SCALE: 2:1 | |
| | FINISH: | 1.6 | | | |
| | DO NOT SCALE THIS DRAWING | | | | |

1 2 3 4 6 7