

1 2 3 4 6 7

A

A

B

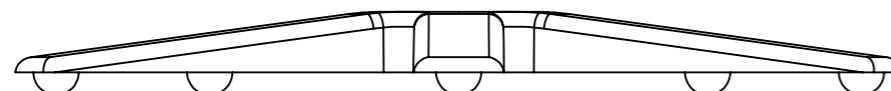
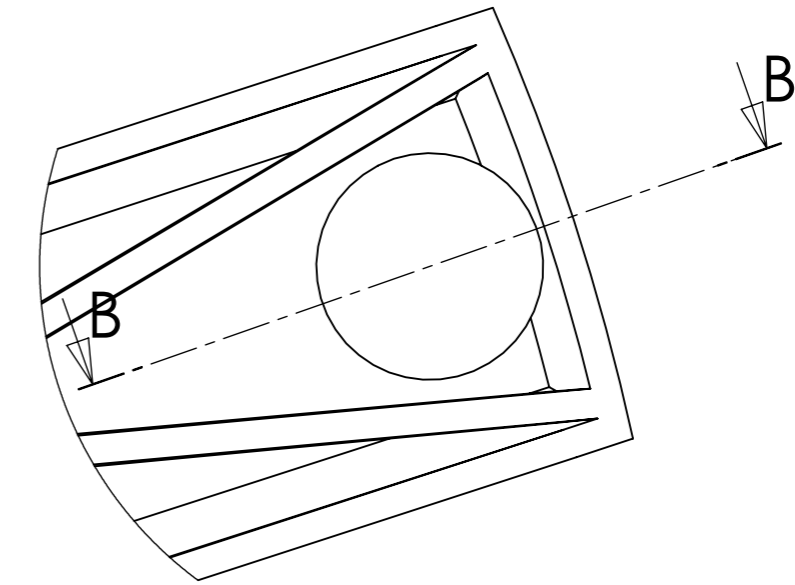
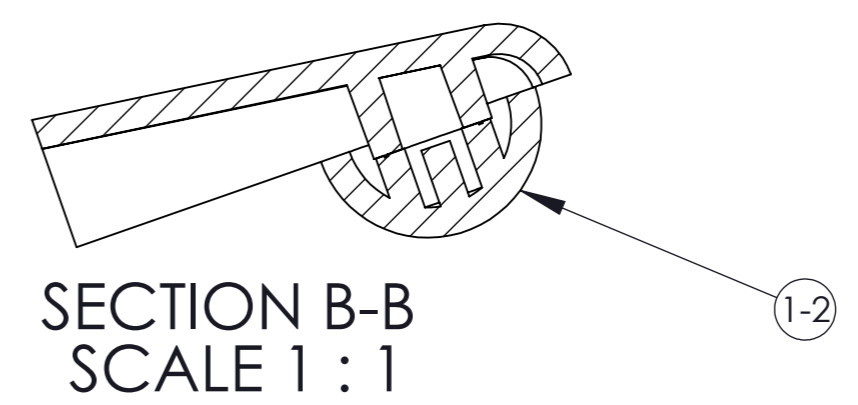
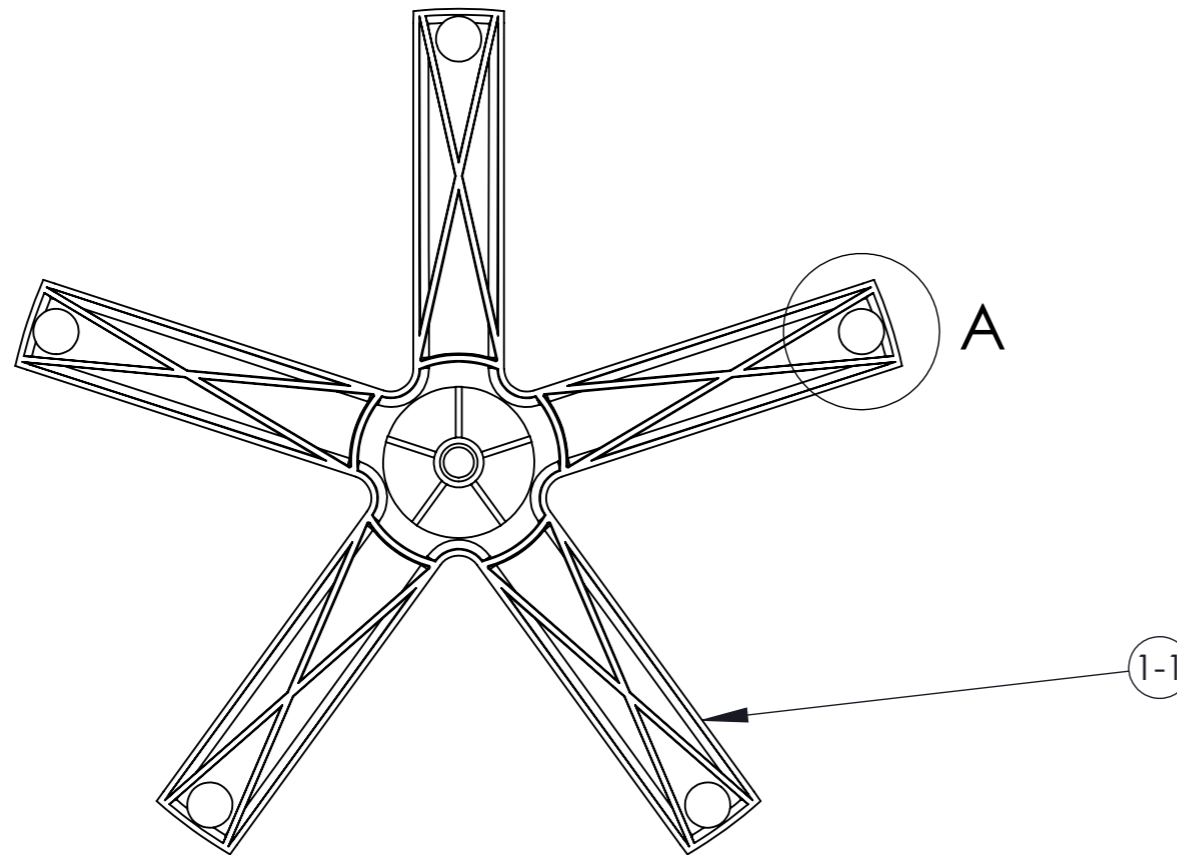
B

C

C

D

D



THIS DRAWING SHOULD BE CONSIDERED WITH THE BOM AND THE 3D FILE (IF SUPPLIED)

MATERIAL: NIL	UNLESS OTHERWISE SPECIFIED	DATE 13-MAR-2009	EMMA'S FITNESS	
	DIMENSIONS ARE IN MILLIMETERS			
FINISH: NIL	TOLERANCES	REVISION 1	TITLE: BASE ASSEMBLY	
	DECIMALS: X.X ± 0.20 X.XX ± 0.10			
	FRACTIONS ± 1/32 ANGULAR: ± 0°30' FINISH: 1.6			
DO NOT SCALE THIS DRAWING			DRAWING NUMBER: SA-001	SCALE: 1 : 5

1 2 3 4 6 7